

Stainless Steel Circular Bollard | Plate Fixed & Core Drilled



Description

Rizistal stainless steel protection products are British engineered and designed for hardwearing environments.

The Stainless Steel Circular Bollard can be positioned at doorways, corners and other vulnerable locations in both interior and exterior environments.

The Bollard can be installed to provide protection for buildings, machinery and pedestrians against collisions and heavy vehicles operating in the area.

Specification

Fixing Method	100mm Core Drilled or 10mm Plate Fixed
Top Design	60° Angle or Flat
Diameter	100mm or 114mm
Length	1000mm
Thickness	3mm
Stainless Steel	Grade 304 (British Standard 304S31, Euronorm 1.4301)
Core	Hollow, but suitable for filling by others e.g. concrete

Stainless Steel Circular Bollard | Plate Fixed & Core Drilled

Manufacture

All stainless steel bollards are manufactured to BS6180 standard.

Maintenance

Stainless steel as a finished product is maintenance friendly, but not maintenance free.

As stainless steel consists mainly of steel it is susceptible to surface corrosion under certain circumstances if not maintained correctly.

Retained deposits and concentrated fluid build up should be removed to prevent corrosion.

Cleaning

Many factors affect the choice of cleaning method and frequency of its application. Suitable methods for stainless steel are:

- Water and steam
- Mechanical non abrasive scrubbing
- Organic solvents
- Mild detergents

Installation

CORE DRILLED

A core drilled Bollard has a 100mm extra on its length that is designed to be installed into the ground.

PLATE FIXED

A plate fixed Bollard has a 10mm foot plate with fixing holes, which is designed to be fixed to the substrate with heavy duty fixing bolts. We recommend that bolts are chemically anchored into the ground. Bolts are included with every Bollard.

Finish

Satin polished, brushed effect stainless steel finish.

Ordering

Available from Rizistal online at www.rizistal.co.uk.

All Rizistal products are sold subject to Rizistal's terms and conditions of sale.

For help and expert technical advice, please contact the Rizistal Support Team, who are backed by many years of experience within the flooring industry; support@rizistal.co.uk.

Contracting Service

Rizistal offers a contracting service via their sister company, John Lord Specialist Flooring, who operate throughout the UK, using their own highly experienced teams.

Rizistal will be happy to provide quotations for any large project, involving their repair and protect products. Email us your project details so a member of the Contracting Team can contact you to discuss your requirements, and see if it fits within the John Lord Contracting minimum criteria.

Core Drilled Design

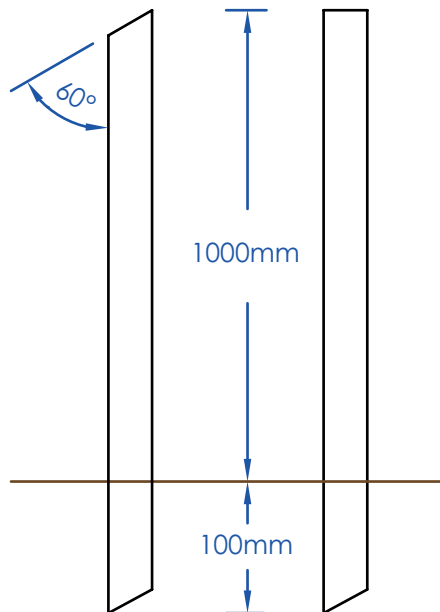


Plate Fixed Design

